

Status Utensil Washer 8130



FEATURES & BENEFITS

- AUTOMATIC START WHEN LID IS CLOSED.
- ADJUSTABLE WASH TEMPERATURES.
- PREPARED FOR AUTOMATIC EXHAUSTION (Ø: 110mm).
- MICRO PROCESSOR CONTROL WITH WATERPROOF KEYBOARD.
- MOVING WASH FRAME & 2 INDEPENDENT PUMPS FOR LOW/HIGH PRESSURE.
- BUILT-IN DRAIN PUMP.
- SELF-CLEAN PROGRAMME.
- 2 PIECE TRAY RACK FOR BAKING TRAY.



Technical Specs

Status Utensil Washers

	8130
Cycle Times	Optional 2 / 4 / 6 min.
Water Consumption	12 L/wash
Electric Connection	17.5 kW
Current Rating	32 Amp
Water Connection	40° - 50°C
Pressure at Valve	Ca. 0.8 or 1.4 bar
Capacity:	
Wash pump	2 x 900 L/min.
Wash tank	125 L
Rinse tank	25 L
Rinse Time	20 sec.
Rinse Water Temperature	84°C
Dimensions: (mm)	
Wash Area	1290 (w) x 635 (d) x 645 (h)
External	1450 (w) x 745 (d) x 1631 (h)

Contact Details

HEAD OFFICE, EXPORTS & CAPETOWN BRANCH

Private Bag x7, Kuils River, 7579,
South Africa.

Tel : +27 (21) 907-1000

Fax : +27 (21) 907-1111

JOHANNESBURG BRANCH

Tel : (011) 472-4100

Fax : (011) 472-4154

DURBAN BRANCH

Tel : (031) 569-6290

Fax : (031) 569-6296

EMAIL

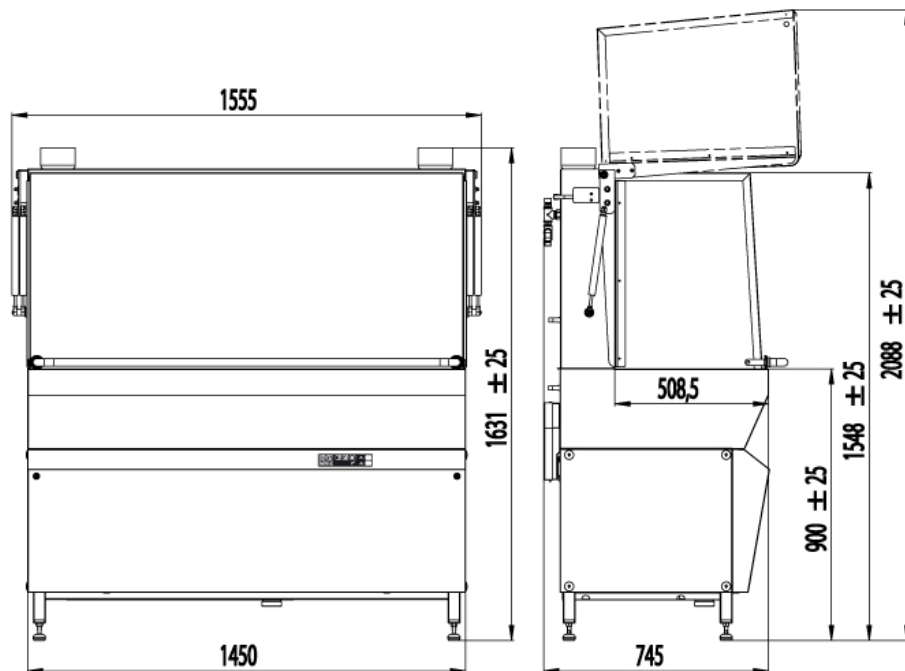
info@macadams.co.za

WEBSITE

www.macadams.co.za

We reserve the right to both
technical and design
modifications.

February 2009



The Company. The People. The Products.

