

# Macadams Convecta 5 Oven & Prover



## FEATURES & BENEFITS

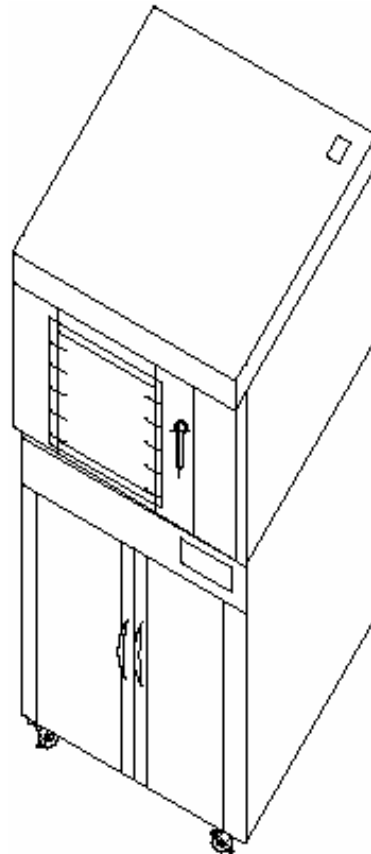
- SIMPLE CONTROLS.
- EASY MAINTENANCE.
- AUTOMATIC STEAMING SYSTEM.
- MICROPROCESSOR CONTROL.



# Technical Specs

## Macadams Convecta 5 Oven & Prover

	Oven	Prover
<b>Power Rating</b>	Electrical : 6.5kW	Electrical : 0.7kW
<b>Supply Voltage</b>	400V, 50Hz, 3 phase	220V
<b>Current Rating</b>	16.25 Amps	3.1 Amps
<b>Control Voltage</b>	220V	
<b>Floor Area</b>	0.9m <sup>2</sup>	
<b>Tray Size (mm)</b>	400 x 600	
<b>Confectionery Capacity:</b> Shelves Trays per shelf	5  16	16  16
<b>Dimensions (mm)</b>	760(h) x 770(w) x 1150(d)	1055(h) x 780(w) x 1150(d)
<b>Weight</b>	136kg	200kg



### Contact Details

#### HEAD OFFICE, EXPORTS & CAPETOWN BRANCH

Private Bag X7, Kuils River, 7579,  
South Africa.

Tel : +27 (21) 907-1000

Fax : +27 (21) 907-1111

#### JOHANNESBURG BRANCH

Tel : (011) 472-4100

Fax : (011) 472-4154

#### DURBAN BRANCH

Tel : (031) 569-6290

Fax : (031) 569-6296

#### EMAIL

[info@macadams.co.za](mailto:info@macadams.co.za)

#### WEBSITE

[www.macadams.co.za](http://www.macadams.co.za)

We reserve the right to both  
technical and design  
modifications.

February 2009

The Company. The People. The Products.

