

Macadams Combibake Deck Ovens



FEATURES & BENEFITS

- LEGS ARE FITTED WITH CASTORS.
- USER FRIENDLY INSTRUMENT PANEL.
- DOORS ARE SUPPLIED WITH FITTED WINDOWS TO ALLOW THE BAKER TO OBSERVE THE BAKING PROCESS.

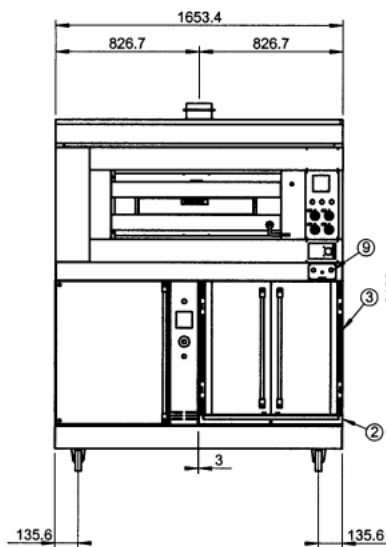


Technical Specs

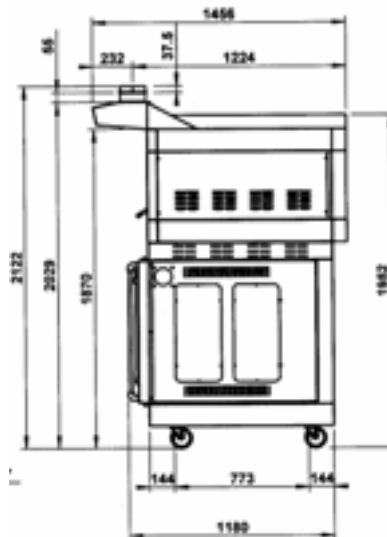
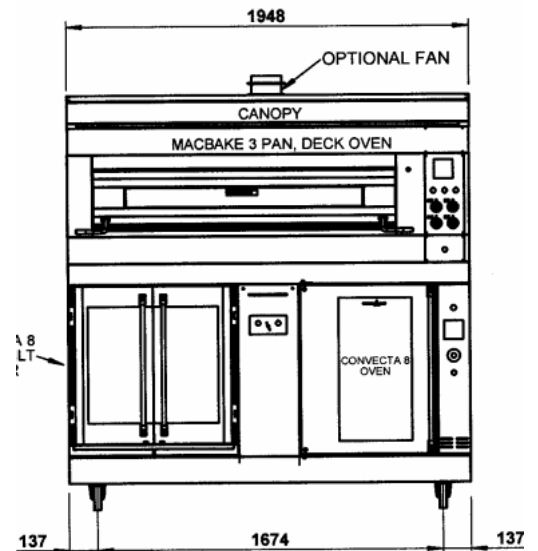
Macadams Combibake Deck Ovens

	Combibake 2 & 3 Pan		
	Deck Oven	Convection Oven	Prover
Power Requirement: Combibake 2 Pan Combibake 3 Pan		22.5kW 27.5kW	
Supply Voltage	220-440V, 3 phase neutral and earth.	380V, 3 phase neutral and earth.	220V single phase, neutral and earth.
Control Voltage	220 Volts Other voltages available on request.	220V	220V

Combibake 2 Pan



Combibake 3 Pan



Contact Details

HEAD OFFICE, EXPORTS & CAPETOWN BRANCH

Private Bag X7, Kuils River, 7579,
South Africa.

Tel : +27 (21) 907-1000

Fax : +27 (21) 907-1111

JOHANNESBURG BRANCH

Tel : (011) 472-4100

Fax : (011) 472-4154

DURBAN BRANCH

Tel : (031) 569-6290

Fax : (031) 569-6296

EMAIL

info@macadams.co.za

WEBSITE

www.macadams.co.za

We reserve the right to both
technical and design
modifications.

February 2009

The Company. The People. The Products.

