

# Macadams French Baguette Moulder



## FEATURES & BENEFITS

- HEAVY FRAMED THICK ALUMINIUM BODY.
- ONE INPUT CYLINDER TO MAKE ROLLING EASY.
- EMERGENCY STOP BUTTON.
- RETRACTABLE RECOVERY TRAY.



# Technical Specs

## Macadams French Baguette Moulder

	SM 380
Power Rating	0.375 kW
Supply Voltage	380 V, 50 Hz, 3 phase.
Weight Range for Dough Pieces	50 - 900 g
Average Output	2500 pieces per hour.
Dimensions (mm)	970(w) x 685(d) x 1600(h)
Weight:	
Net (with stand)	250 kg
Gross	300 kg

### Contact Details

#### HEAD OFFICE, EXPORTS & CAPETOWN BRANCH

Private Bag X7, Kuils River, 7579,  
South Africa.

Tel : +27 (21) 907-1000

Fax : +27 (21) 907-1111

#### JOHANNESBURG BRANCH

Tel : (011) 472-4100

Fax : (011) 472-4154

#### DURBAN BRANCH

Tel : (031) 569-6290

Fax : (031) 569-6296

#### EMAIL

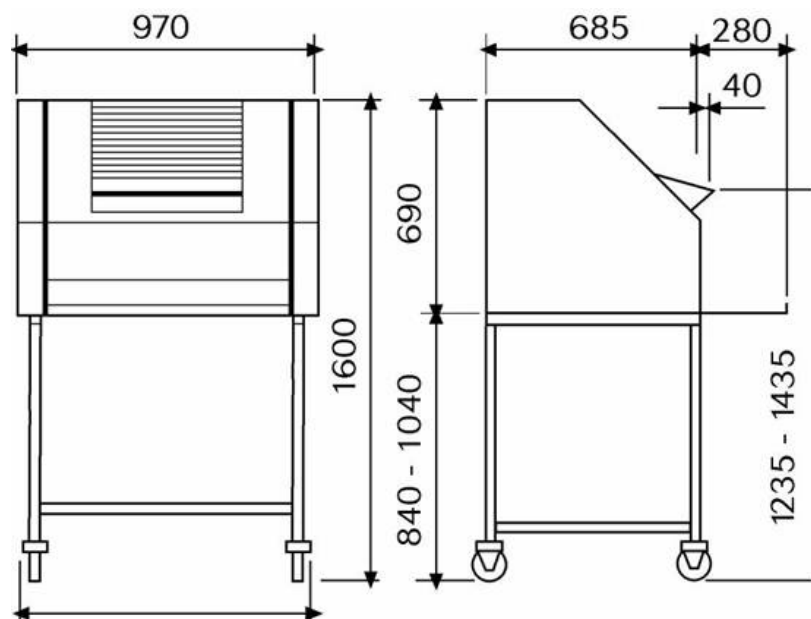
[info@macadams.co.za](mailto:info@macadams.co.za)

#### WEBSITE

[www.macadams.co.za](http://www.macadams.co.za)

We reserve the right to both  
technical and design  
modifications.

February 2009



The Company. The People. The Products.

