

# Macadams Heavy Duty Moulder



## FEATURES & BENEFITS

- SUPERB RESULTS IN MOULDING TIN BREAD .
- SHEETING ROLLERS ARE OF NON-STICK NYLON COMPOUND.
- REGULATES MOULDING PRESSURE AND LENGTH OF DOUGH PIECES.



# Technical Specs

## Macadams Heavy Duty Moulder

Power Rating	2.6 kW, 4.0 Amps at 380 V
Belt Drive	1.1 kW
Sheeting Rollers	1.5 kW
Capacity	Up to 3000 pieces per hour.
Dough Weight Range	100 g - 1000 g
Moulding Length	Up to 450 mm
Weight	559 kg

### Contact Details

#### HEAD OFFICE, EXPORTS & CAPETOWN BRANCH

Private Bag X7, Kuils River, 7579,  
South Africa.

Tel : +27 (21) 907-1000

Fax : +27 (21) 907-1111

#### JOHANNESBURG BRANCH

Tel : (011) 472-4100

Fax : (011) 472-4154

#### DURBAN BRANCH

Tel : (031) 569-6290

Fax : (031) 569-6296

#### EMAIL

info@macadams.co.za

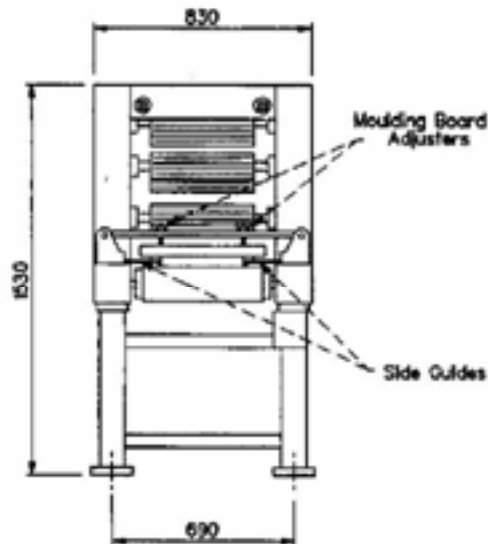
#### WEBSITE

www.macadams.co.za

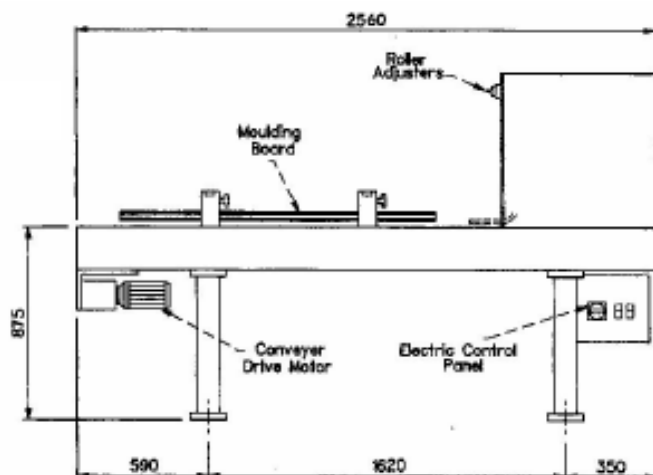
We reserve the right to both  
technical and design  
modifications.

February 2009

### FRONT VIEW



### SIDE VIEW



The Company. The People. The Products.

