

Macadams Mini Bread & Roll Moulder



FEATURES & BENEFITS

- REMOVEABLE PRESSURE BOARD.
- SIMPLE CONTROLS.
- DURABLE CONSTRUCTION.
- SAFETY FEATURES.



Technical Specs

Macadams Mini Bread & Roll Moulder

Power Rating	0.55 kW
Power Supply	380V, 50Hz, 3 phase, neutral and earth. Other voltages on request.
Dough Weight Range	60 - 900 g
Moulding Length	Up to 350 mm
Adjustable Roller Gap	Top: 10 - 20 mm Bottom: 0 - 12 mm
Dimensions (mm)	650 (w) x 1680 (d) x 1610 (h)
Weight	167 kg

Contact Details

HEAD OFFICE, EXPORTS & CAPETOWN BRANCH

Private Bag X7, Kuils River, 7579,
South Africa.

Tel : +27 (21) 907-1000

Fax : +27 (21) 907-1111

JOHANNESBURG BRANCH

Tel : (011) 472-4100

Fax : (011) 472-4154

DURBAN BRANCH

Tel : (031) 569-6290

Fax : (031) 569-6296

EMAIL

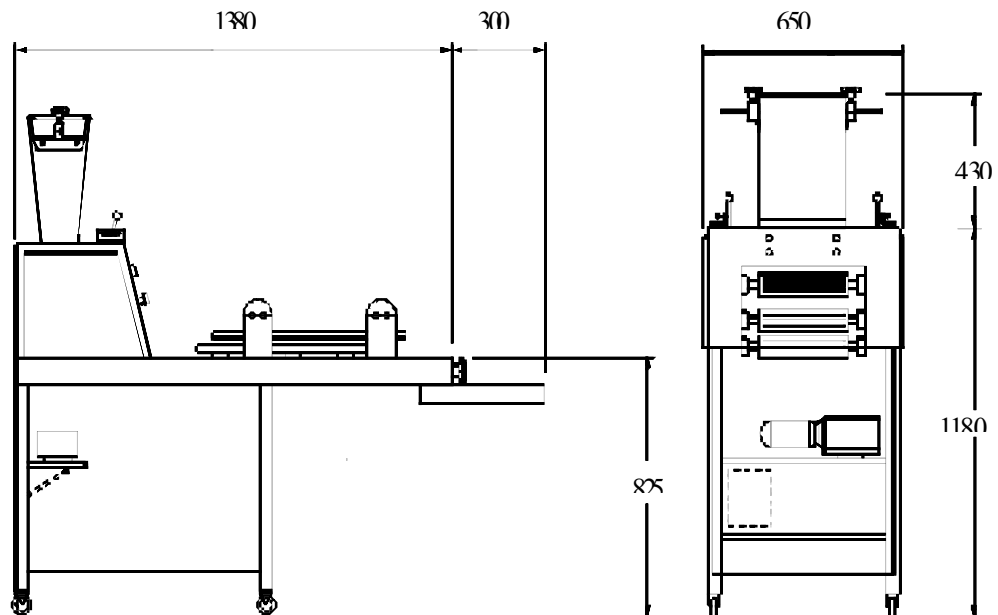
info@macadams.co.za

WEBSITE

www.macadams.co.za

We reserve the right to both
technical and design
modifications.

February 2009



The Company. The People. The Products.

