

Macadams Chicken Grillers - 7 Basket



FEATURES & BENEFITS

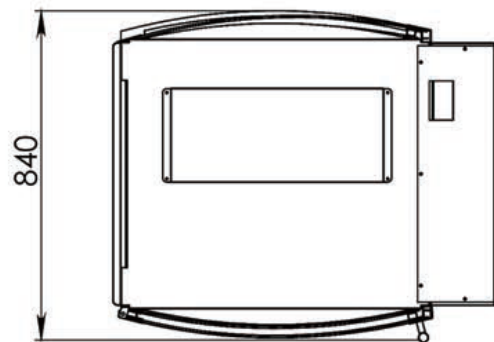
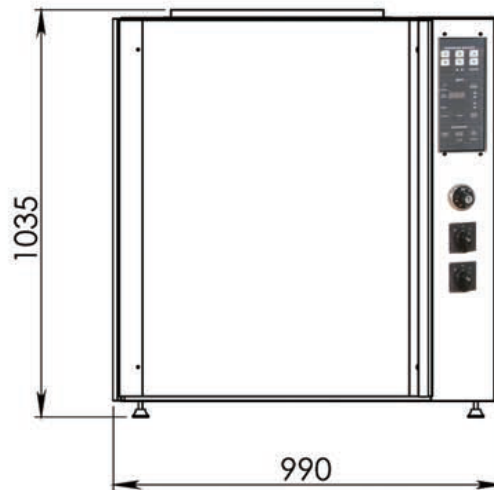
- 7 BASKETS, 35 CHICKENS.
- INTERNAL HALOGEN LIGHTS TO ENHANCE POINT OF SALE.
- INNER PANELS ARE NON-STICK WITH TEFLON TREATMENT.
- MANUAL CONTROL & PROGRAMMABLE CONTROL.
- IDEAL FOR SMALL GROCERY STORE & SUPERMARKETS.
- DOUBLE GLAZED FRONT DOOR.
- STAINLESS STEEL INTERIOR & EXTERIOR.
- REMOVABLE FAT TRAY WITH DRIP COVERS.
- CAN STORE 99 PROGRAMMES.



Technical Specs

Macadams Chicken Grillers - 7 Basket

	SR7 - PT2
Electrical	380V, 9 kW, 36 Amps, 3 phase
Capacity	35 chickens
Max. Temp	320°C (Manual) / 250°C (Programmable)
Dimensions: (mm)	
Internal	707 (w) x 640 (d) x 670 (h)
External	990 (w) x 840 (d) x 1035 (h)
Weight	180 kg



Contact Details

HEAD OFFICE, EXPORTS & CAPETOWN BRANCH

Private Bag x7, Kuils River, 7579,
South Africa.

Tel : +27 (21) 907-1000

Fax : +27 (21) 907-1111

JOHANNESBURG BRANCH

Tel : (011) 472-4100

Fax : (011) 472-4154

DURBAN BRANCH

Tel : (031) 569-6290

Fax : (031) 569-6296

EMAIL

info@macadams.co.za

WEBSITE

www.macadams.co.za

We reserve the right to both
technical and design
modifications.

February 2009

The Company. The People. The Products.

