

# Macadams Pizza Ovens



F2-99EA



HEC 3018

## FEATURES & BENEFITS



### HEC 3018

- HIGH VELOCITY AIR FLOW & REMOVABLE CRUMB TRAY.
- STAINLESS STEEL EXTERIOR & STACKABLE 3 UNITS.
- REVERSIBLE BELT DRIVE WITH VARIABLE SPEED CONTROLS.
- ELECTRONIC TEMPERATURE CONTROLS WITH DIGITAL READOUTS.

### F2-99EA

- STAINLESS STEEL EXTERIOR .
- REFRACTORY BAKING.

# Technical Specs

## Macadams Pizza Ovens

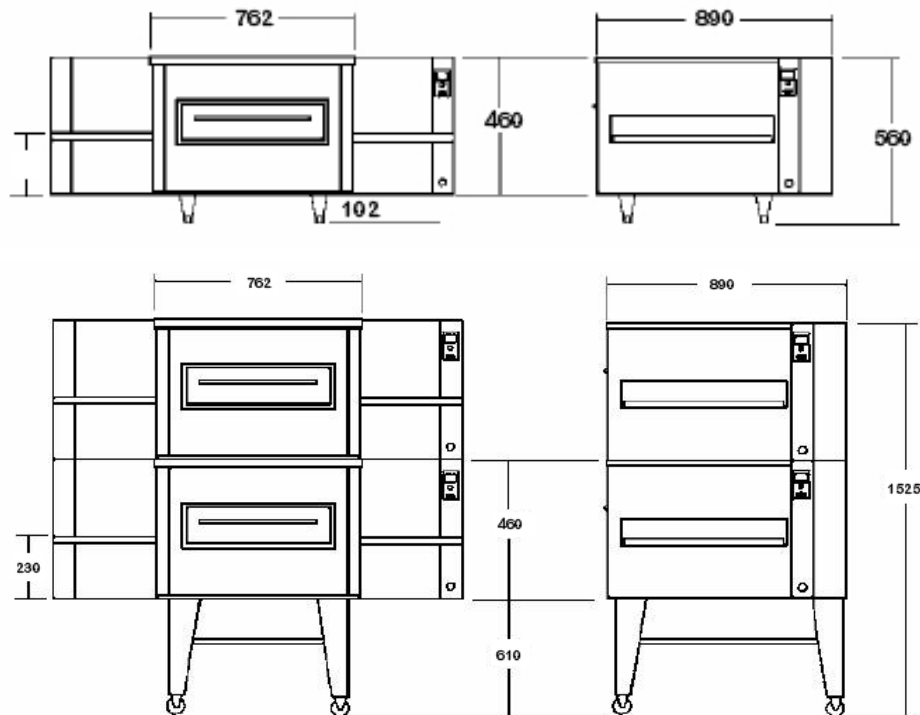
	HEC3018		HEC4018
<b>Dimensions: (mm)</b> Exterior	1480 (l) x 890 (d) x 560 (h) *	1480 (l) x 890 (d) x 1070 (h) **	1730 (l) x 890 (d) x 560 (h) *
<b>Belt Dimensions (mm)</b>	460 (w) x 1480 (l)		460 (w) x 1730 (l)
<b>Power Rating</b>	380V, 3 phase, 24 Amps, 60 Hz		380V, 3 phase, 36 Amps, 60 Hz
<b>Shipment Weight</b>	193 kg		205 kg

\* Single oven on 100mm legs.

\*\* On 610mm stainless steel stand.

	F2-99EA
<b>Power Rating</b>	380V, 19.2 kW, 3 phase
<b>Working Temperature</b>	50 - 500°C
<b>Dimensions: (mm)</b> Interior Exterior	910 (l) x 140 (h) x 910 (d) 1150 (l) x 750 (h) x 1020 (d)
<b>Weight</b>	320 kg

### HEC 3018 & HEC 4018



### Contact Details

#### HEAD OFFICE, EXPORTS & CAPE TOWN BRANCH

Private Bag x7, Kuils River, 7579,  
South Africa.

Tel : +27 (21) 907-1000

Fax : +27 (21) 907-1111

#### JOHANNESBURG BRANCH

Tel : (011) 472-4100

Fax : (011) 472-4154

#### DURBAN BRANCH

Tel : (031) 569-6290

Fax : (031) 569-6296

#### EMAIL

info@macadams.co.za

#### WEBSITE

www.macadams.co.za

We reserve the right to both  
technical and design  
modifications.

February 2009

The Company. The People. The Products.

